

7105801

## STUDIO S

STUDIO® S 8-INCH WIDESPREAD  
2-HANDLE BATHROOM FAUCET 1.2  
GPM/4.5 L/MIN WITH LEVER HANDLES




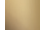
*American  
Standard*

### STANDARD SPECIFICATION:

- Metal construction and washerless ceramic disc valve
- 1.2 gpm (4.5 L/min) flow rate meets WaterSense certification requirements
- Valve bodies with integrated flexible hose connections for 6"-12" (152-305 mm) installation
- Metal lever handles
- Brass Push Pop-Up Drain



### AVAILABLE FINISHES:

- |             |   |                      |
|-------------|---|----------------------|
| 7105801.002 |  | Polished Chrome      |
| 7105801.243 |  | Matte Black          |
| 7105801.295 |  | Brushed Nickel       |
| 7105801.GN0 |  | Brushed Cool Sunrise |

### CERTIFICATIONS:



- ADA
- WaterSense
- CEC Certified
- Low Lead Certified
- CALGreen Compliant
- Massachusetts Plumbing Board Approved
- Energy Policy Act of 1992
- NSF 61
- CSA B125.1
- ASME A112.18.1
- Complies with lead plumbing laws

NOTE: Install this product according to the installation guide. ADA, CSA compliant when installed to the specific requirements of these regulations.

We reserve the right to make revisions without notice to product specifications. 12-05-2024

**US**  
Tel: 1.855.815.0004

For the most current Specification Sheet,  
go to <https://www.americanstandard-us.com>.

**Canada**  
Tel: 855.836.9615

For the most current Specification Sheet,  
go to <https://www.americanstandard.ca>.

PART OF **LIXIL**

7105801

## STUDIO S

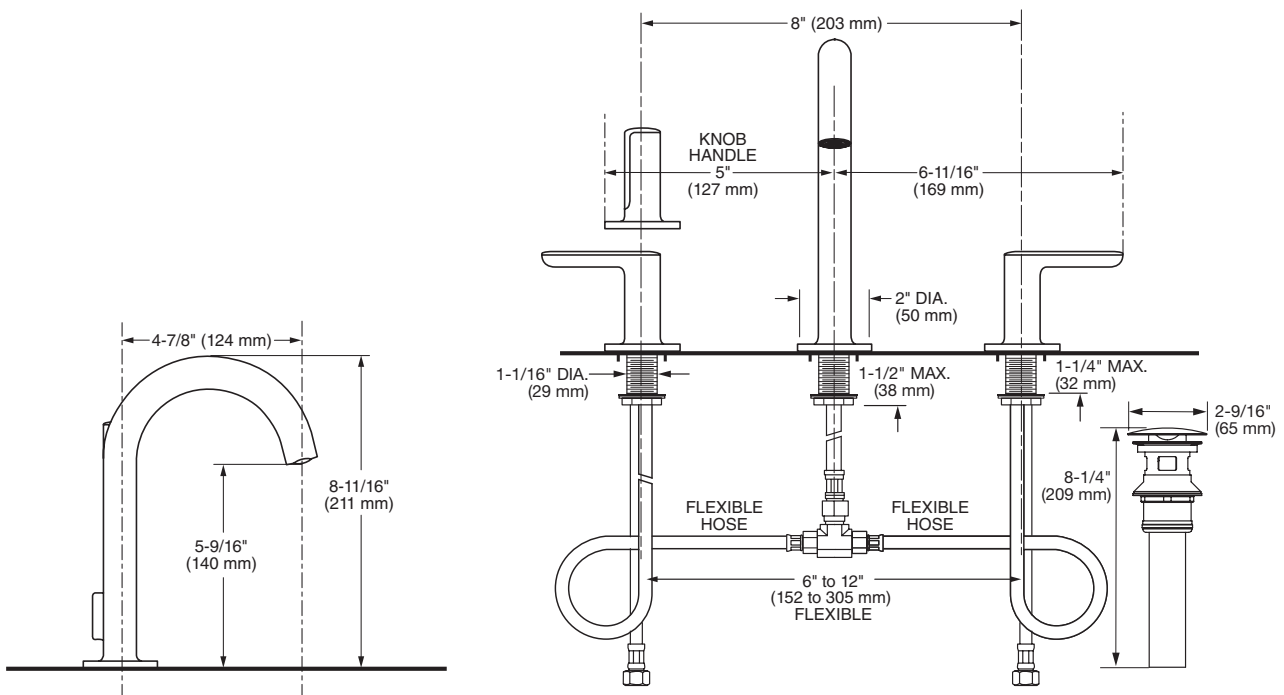
STUDIO® S 8-INCH WIDESPREAD  
2-HANDLE BATHROOM FAUCET 1.2  
GPM/4.5 L/MIN WITH LEVER HANDLES

*American  
Standard*

### TECHNICAL DATA:

Product Height	8.69 in (220.73 mm)
Product Length	6.31 in (160.27 mm)
Product Width	13.38 in (339.85 mm)
Fitting Spout Height	5.56 in (141.22 mm)
Fitting Spout Reach	4.88 in (123.95 mm)
Fitting Handle Height	2.63 in (66.8 mm)
GPM (Min)-GPM (Max)	1.2 GPM
Fitting No of Holes Required	3
Product Weight	5.119 lb/5.115 lb

### PRODUCT COMPONENTS:



NOTE: Install this product according to the installation guide. ADA, CSA compliant when installed to the specific requirements of these regulations.

We reserve the right to make revisions without notice to product specifications. 12-05-2024

US

Tel: 1.855.815.0004

For the most current Specification Sheet,  
go to <https://www.americanstandard-us.com>.

Canada

Tel: 855.836.9615

For the most current Specification Sheet,  
go to <https://www.americanstandard.ca>.

PART OF **LIXIL**